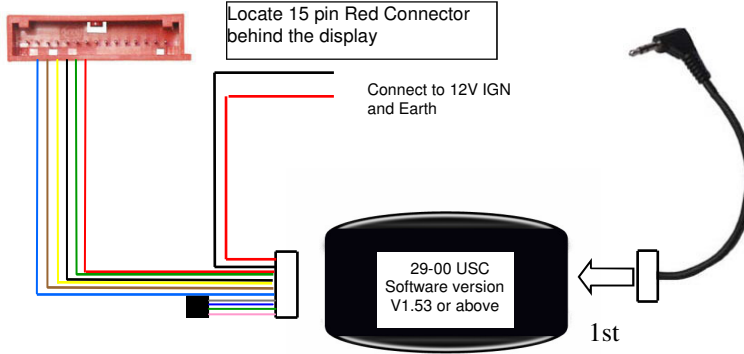
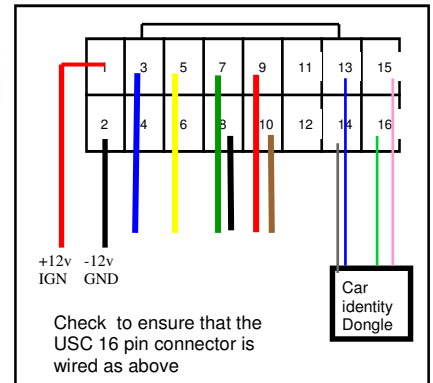


On most Renaults you will need to remove the top dashboard to locate the display connector.



**1-ALWAYS CONNECT THE HEAD-UNIT CABLE ADAPTER 1st before ignition is turned on!**



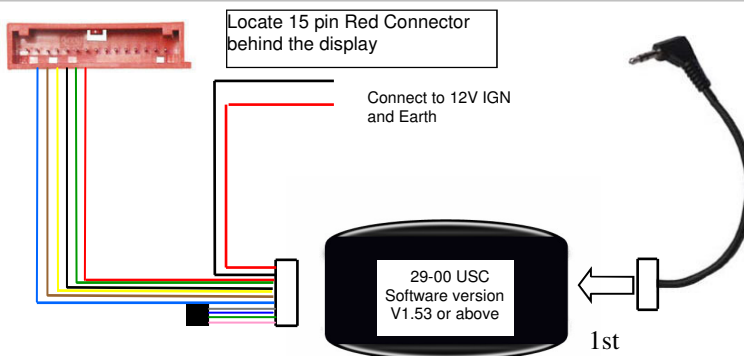
1. Choose a head-unit adapter from the list overleaf and connect it to the USC black box.
2. Turn off the ignition supply to the car! Fit aftermarket radio.
3. Locate the 15 pin connector and solder wires as shown.
4. Connect the bullet red wire to 12V IGNITION source in the car and black to earth.
5. Test unit before fully fitting radio and trims back.

Connector Pin	ICT Colour	Renault 1 colour	Renault 2 colour	Renault 3 colour
14	Blue	Blue	Beige	Pink
13	Brown	Brown	Green	Violet
12	Yellow	Yellow	Orange	Grey
11	Black	Black	Violet	Green
10	Green	Green	Brown	Beige
9	Red	Red	Grey	Brown

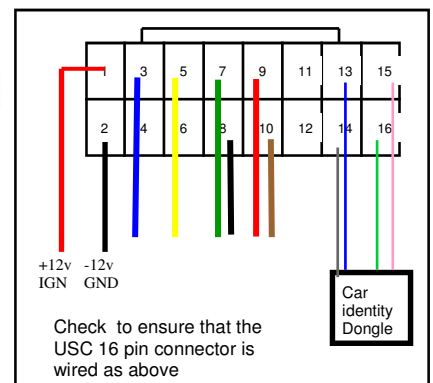
**Solder the wires to the connector as shown on the chart to the left. Some Renault have different colour wires as shown.**

**If Problems:** Check that correct adapter has been used and links are in the correct place. Always disconnect from the power supply if you change the head-unit adapter lead. Check that Red wire is 12V ignition and not Permanent power. Check that head-unit is earthed and black wire is earth. Check all connections are the same as the wiring diagram shown here

On most Renaults you will need to remove the top dashboard to locate the display connector.



**1-ALWAYS CONNECT THE HEAD-UNIT CABLE ADAPTER 1st before ignition is turned on!**



1. Choose a head-unit adapter from the list overleaf and connect it to the USC black box.
2. Turn off the ignition supply to the car! Fit aftermarket radio.
3. Locate the 15 pin connector and solder wires as shown.
4. Connect the bullet red wire to 12V IGNITION source in the car and black to earth.
5. Test unit before fully fitting radio and trims back.

Connector Pin	ICT Colour	Renault 1 colour	Renault 2 colour	Renault 3 colour
14	Blue	Blue	Beige	Pink
13	Brown	Brown	Green	Violet
12	Yellow	Yellow	Orange	Grey
11	Black	Black	Violet	Green
10	Green	Green	Brown	Beige
9	Red	Red	Grey	Brown

**Solder the wires to the connector as shown on the chart to the left. Some Renault have different colour wires as shown.**

**If Problems:** Check that correct adapter has been used and links are in the correct place. Always disconnect from the power supply if you change the head-unit adapter lead. Check that Red wire is 12V ignition and not Permanent power. Check that head-unit is earthed and black wire is earth. Check all connections are the same as the wiring diagram shown here

CHOOSE THE CORRECT HEAD-UNIT ADAPTER FROM THOSE BELOW

29-001 Alpine



29-002 Blaupunkt



29-003 Clarion



29-004 JVC



29-005 Kenwood  
Single wire



29-005D Kenwood  
4 pin DIN Plug



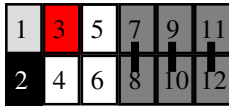
29-006 Panasonic  
Standard CD units



29-006A Panasonic  
AV head-units



29-009 Siemens  
VDO



29-008 Sony  
3v & 5v units



29-011 Zenec



29-020 Pioneer &  
Sony



Special external drive  
PCB version

CHOOSE THE CORRECT HEAD-UNIT ADAPTER FROM THOSE BELOW

29-001 Alpine



29-002 Blaupunkt



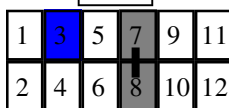
29-003 Clarion



29-004 JVC



29-005 Kenwood  
Single wire



29-005D Kenwood  
4 pin DIN Plug



29-006 Panasonic  
Standard CD units



29-006A Panasonic  
AV head-units



29-009 Siemens  
VDO



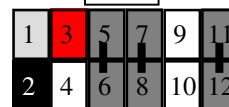
29-008 Sony  
3v & 5v units



29-011 Zenec



29-020 Pioneer &  
Sony



Special external drive  
PCB version